

Stealth Flood 1 (G3 Series)



1000W~1400W **90-100LM/W**





### Overview

The LTC Stealth Flood 1 (G3) uses NICHIA 319 LEDs, providing excellent lumen output, long-lasting stability, and splendid sight in your space.

The sturdy design & unique light distribution delivers both quality lighting with energy efficiency & longevity.

5 year warranty.

### Additional Options

Additional custom options are available such as 415V, 2 phase input, and flexible cable (main input) at various lengths (10m,15m, 20 m , 30m etc) are available on request.

### LED

Illumination grade LED light source.



### LED DRIVER

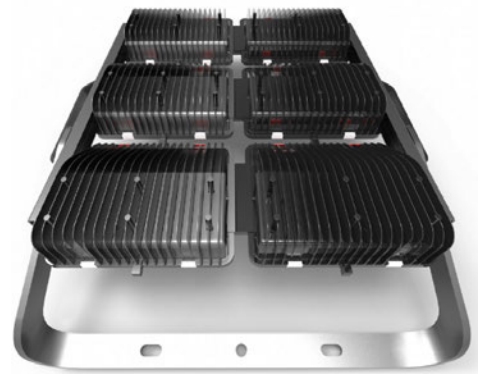


High-end programmable Mean Well or Inventronics Series remote LED driver, with 10KV surge protection provides excellent performance and lifespan.

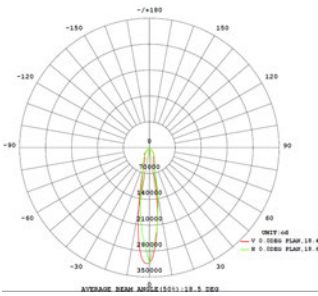


### HEAT RADIATOR

Unique thermal design, stable product performance.



### Average beam angle(50%) :



Low windage area (EPA)



Excellent glare control, almost zero upward light, consistent and superior performance

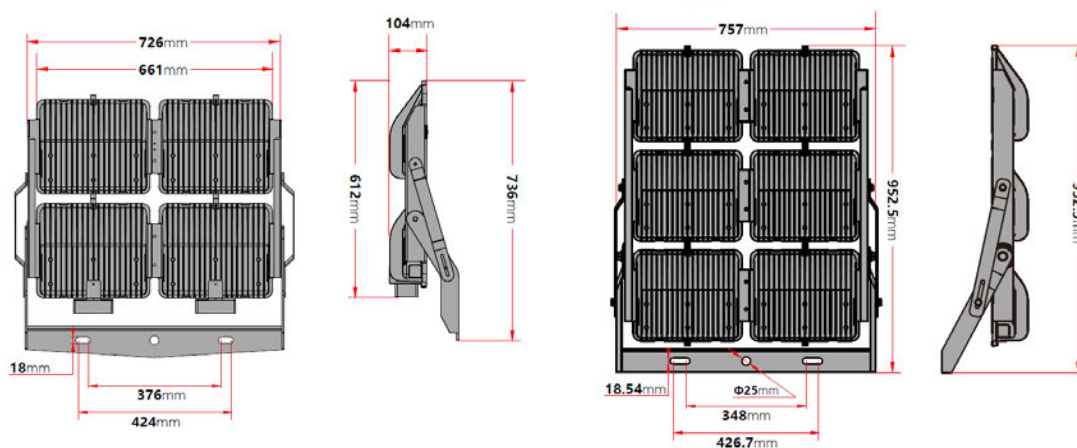


Sturdy design to survive in adverse conditions

Product	LTT-G3LHM1000N	LTT-G3LHM1200N	LTT-G3LHM1400N
Item Code	112092	112093	112094
Normal Wattage	1000W	1200W	1400W
LED Qty (PCS)	192	288	288
Input Voltage	100-277 V AC 50/60Hz		
LED Brand	NICHIA319		
Driver Brand	Mean Well		
Max. Current @ 115V	10A	12A	14A
Max. Current@230V	5A	6A	7A
Max. Current@277V	4A	5A	6A
Operating Temperature	-40 °C to +50 °C		
Power Factor(PF)	>0.95		
THD	<20%		
Leakage Current	Preliminary		
Surge Protection Rating	10KV		
Lumen Output (+/- 5%)	90000lm	108000lm	126000lm
Luminaire efficacy (+/-5%)	90-100LM/W		
Luminaire Classification	Class I		
Light Distribution	Asymmetric		
Beam Angle	71.2°		
Ra	>70 (80 optional)		
CCT	3000K (Warm White), 4000K (Nature White), 5000K (Pure White)		
Rating	IP66		
Impact Rating	IK08		
Dimm	0-10V or Dali dim (optional)		
Mounting Options	U-Bracket		
Spigot Size	/		
Accessories	Laser device		
Cable Gland	/		
Cable Ø Entry Range	2-2.5mm		
Body Material	Aluminium		
Shell Color	Grey		
Optics/Lens Cover	Glass		
Lumen Maintenance	50,000 hours-L <sub>70</sub> at 25 °C		
Certifications	CB, SAA		
Packaging Type	1 unit /CTN.		

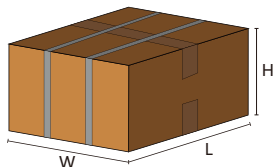
The tolerance range of test data above is ±6% , but normally warm white is ±8%.

### Dimensional Data



Product	LTT-G3LHM1000N	LTT-G3LHM1200N	LTT-G3LHM1400N
Product Size (W*L*D mm)	736*726*104mm	952*757*104mm	952*757*104mm
N.W	22.36kg	32.25kg	32.25kg

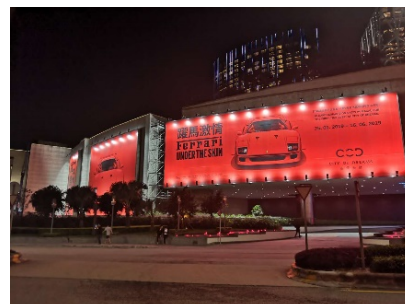
## Packaging Data



Product	Wattage	Product Size(mm)	Carton Size (mm)	Q'ty/Ctn	N.W	G.W.
LTT-G3LHM1000N	1000W	736*726*104mm	900*870*250mm	1	22.36kg	30kg
LTT-G3LHM1200N	1200W	736*726*104mm	1120*870*250mm	1	32.25kg	45kg
LTT-G3LHM1400N	1400W	736*726*104mm	1120*870*250mm	1	32.25kg	45kg

## Applications

General flood light applications, sports fields, basketball courts, tennis courts, sea ports, railyards, airports, and much more



## After-Sale Service

The LTC warranty does not cover: Products that are subjected to misuse, neglect, negligence or accidental damage or use contrary to any written installation or maintenance guides issued by LTC or available on LTC's website. Installed by any person other than a qualified tradespersons. Products that are subjected to (momentarily or continuously) abnormal physical stress, abnormal environmental conditions, exposure to foreign materials, exposure to chemical attack, exposure to excessive humidity, vibration, impact, extreme temperature, subject to electrical line noise, electric surge, voltage outside range etc. Products that are reconstructed, repaired or altered by persons other than LTC or an authorized representative Any third-party manufactured products attached to the Product, inserted in the Product or added to the Product network such as sensors, detectors, batteries or communication devices (such products are covered by the applicable manufacturer warranty). Any security breach or hacking of the Product or lighting system through manual, wired / wireless intrusion etc. The Australian Consumer Law requires the inclusion of the following statement with the LTC Warranty in any Consumer Contract Our goods come with guarantees that cannot be excluded under the Australian Consumer Law. You are entitled to a replacement or refund for a major failure and for compensation for any other reasonably foreseeable loss or damage. You are also entitled to have the goods repaired or replaced if the goods fail to be of acceptable quality and the failure does not amount to a major failure.

Should any of our products not perform to your satisfaction or to specification please contact us on 1300 832 372

### Contact Us

LTC Head Office:

Sales: 1300 832 372

Email: [sales@lighttc.com.au](mailto:sales@lighttc.com.au)

Admin: 1300 832 372

Email: [admin@lighttc.com.au](mailto:admin@lighttc.com.au)



Address:

251 Rawson Street, Auburn, NSW, 2144,  
Australia

Website: [www.lighttc.com.au](http://www.lighttc.com.au)